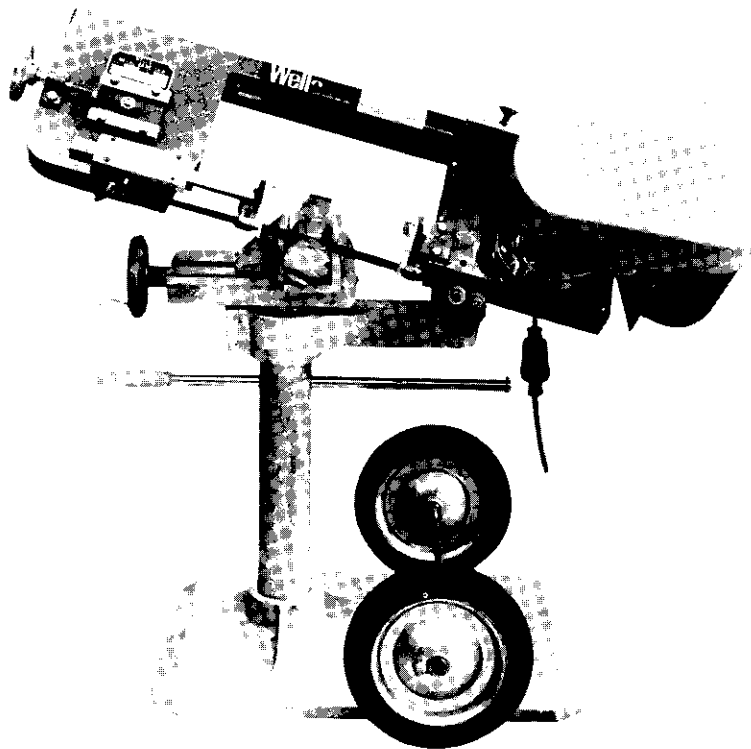


STARTING SERIAL NUMBER 805

PARTS LIST

Wellsaw®

MODEL 72
METAL CUTTING BAND SAW

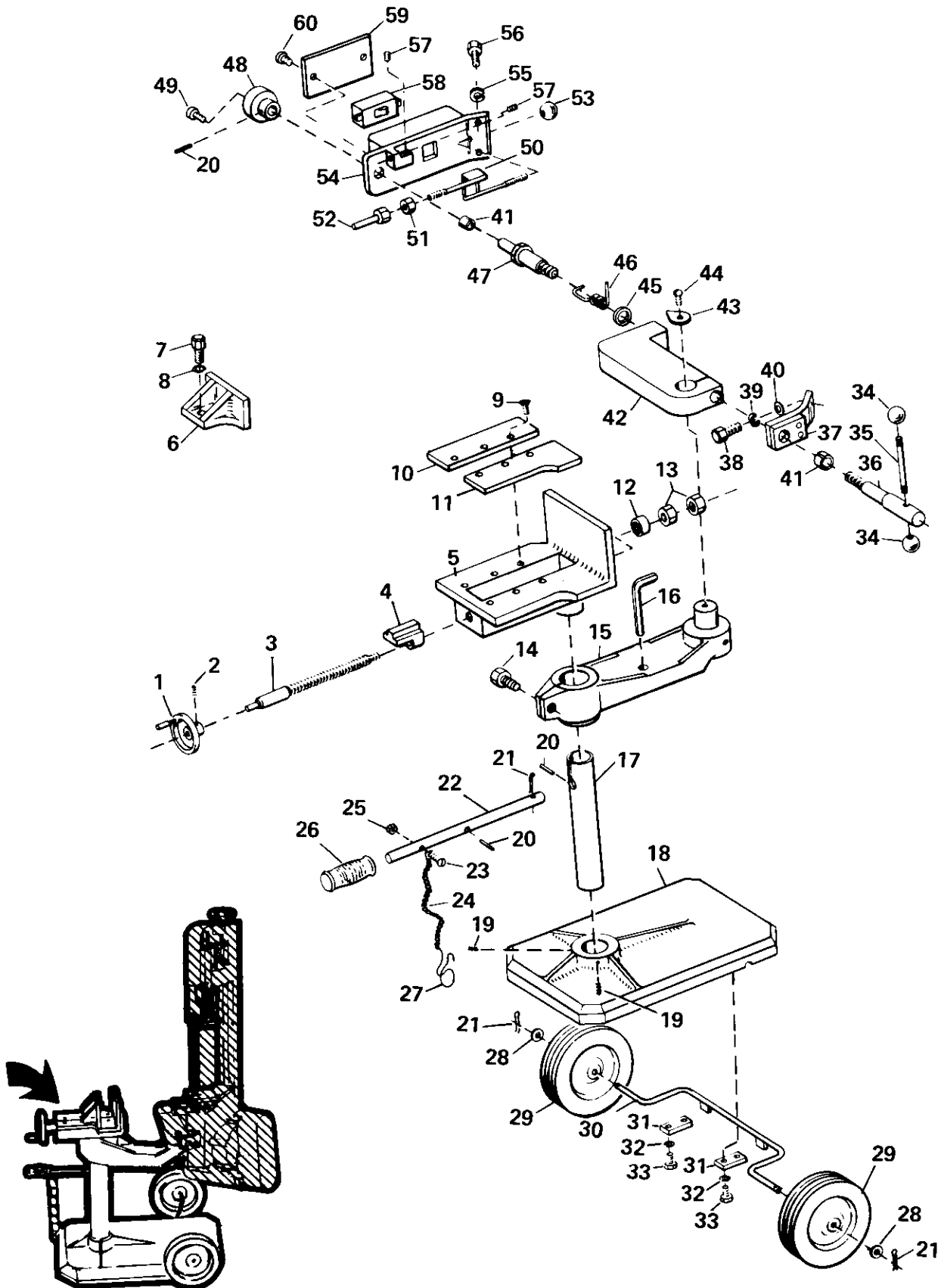


WELLS MANUFACTURING CORPORATION

407 Jefferson Street, Three Rivers, Michigan 49093, U.S.A.

Always Give Model Number, Serial Number and Part Number When Ordering Repair Parts

VICE, FRAME SUPPORT & BASE DETAILS



Always give model number, serial number and part number when ordering repair parts.

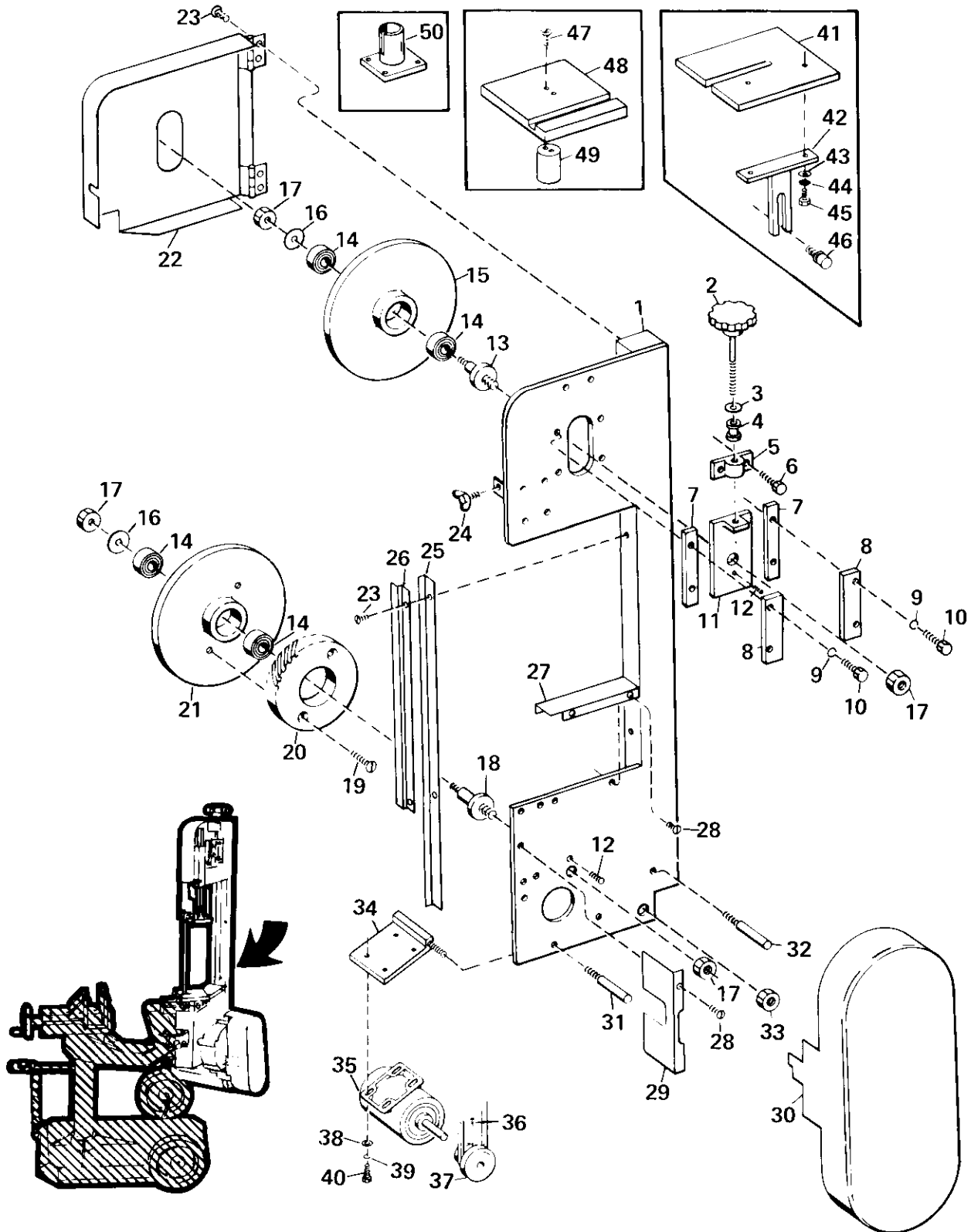
VISE, FRAME SUPPORT & BASE DETAILS

PARTS LIST

REF NO.	PART NUMBER	DESCRIPTION
1	106413	Hand Wheel
2	100077-3	Set Screw
3	106428	Vise Screw
4	106427	Vise Screw Nut
5	106405	Stationary Vise
6	106406	Movable Vise Jaw
7	100004-27	Cap Screw 3/8-16 x 1" Hex Head
8	100025-3	Lock Washer - 3/8
9	100001-11	Machine Screw #10-32 x 1/2 Flat Head
10	106433	Vise Plate - Rear
11	106432	Vise Plate - Front
12	100410-1	Thrust Bearing
13	100019-5	Hex Jam Nut - 1/2-13
14	100008-23	Cap Screw 3/8-16 x 1-1/4 Socket Head
15	106438	Frame Support & Pin Ass'y
16	100099-13	Hex Key
17	106402	Mounting Column
18	106401	Base
19	100034-16	Set Screw - 3/8-16 x 3/8 Socket Head
20	100053-5	Rollpin - 3/16 x 1
21	100053-3	Cotter Pin - 1/8 x 1
22	106457	Handle Rod
23	100000-60	Machine Screw #8-32 x 1 Round Head
24	100090-5	Chain
25	100015-6	Hex Nut - #8-32
26	105826	Handle Grip
27	102805	Safety Hook
28	100029-5	Flat Washer - 7/16
29	102810	Wheel
30	106453	Wheel Axle
31	106456	Clamp Bar
32	100025-1	Lock Washer - 1/4
33	100004-5	Cap Screw - 1/4-20 x 5/8 Hex Head
34	106408-2	Knob
35	106466	Handle
36	106465	Clamp Screw
37	106440	Frame Pivot Bracket & Bearing
38	100004-13	Cap Screw - 5/16-18 x 5/8 Hex Head
39	100025-2	Lock Washer - 5/16
40	100029-3	Flat Washer - 5/16
41	100418	Self Aligning Bearing
42	106404	Frame Support Pivot
43	106467	Pointer
44	100000-24	Machine Screw - 1/4-20 x 3/8 Round Head
45	100030-7	Flat Washer - 1/2 S.A.E.
46	106431	Spring
47	106430	Frame Bracket Stud
48	106409	Spring Tension Knob
49	100008-23	Cap Screw - 3/8-16 x 1 Socket Head
50	106434	Switch Actuator
51	100015-8	Hex Nut - #10-32
52	M-295	Coupler
53	106408	Knob
54	106445	Frame Bracket & Bearing
55	100025-2	Lock Washer - 5/16
56	100004-15	Cap Screw - 5/16-18 x 3/4 Hex Head
57	100129-4	Set Screw - 5/16-18 x 3/4 Self Locking
58	100670-1	Switch - 115 Volt
59	106437	Switch Cover Plate
60	100000-59	Machine Screw - #8-32 x 3/8 Round Head
	106452	Wheel & Handle Kit - Optional Equip. Items 20 thru 33
	106417	Vise Assembly Complete - includes Items 1 thru 13

Always Give Model Number, Serial Number and Part Number When Ordering Repair Parts

WHEEL AND FRAME DETAILS



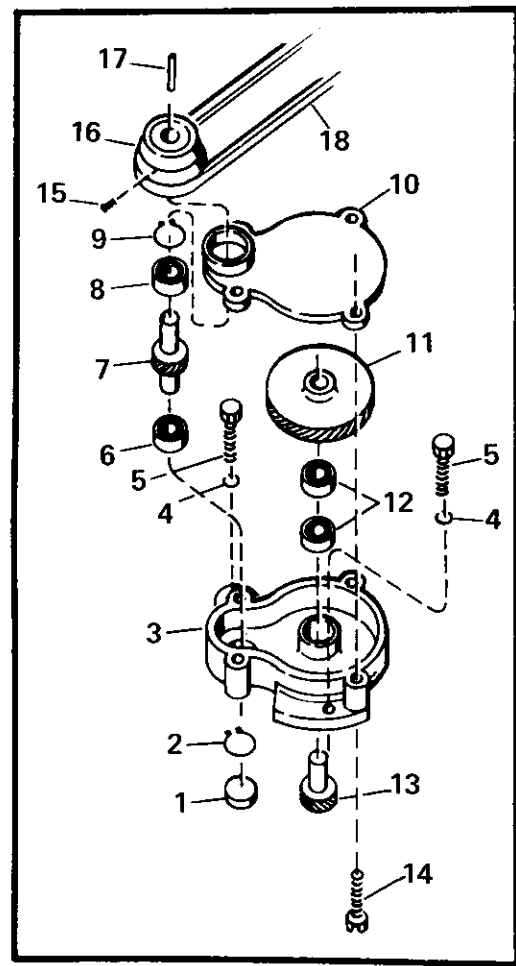
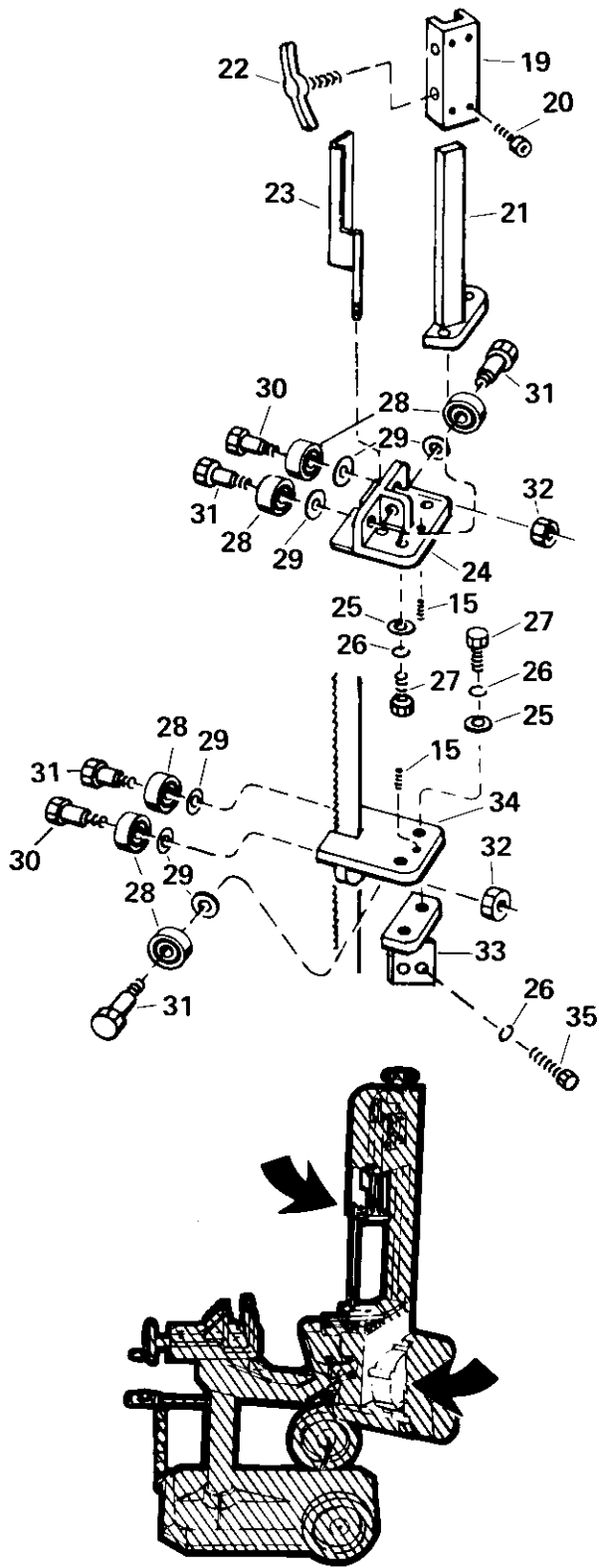
Always give model number, serial number and part number when ordering repair parts.

WHEEL AND FRAME DETAILS PARTS LIST

REF NO.	PART NUMBER	DESCRIPTION
1	106418	Frame
2	103521	Take-Up Screw
3	100029-3	Flat Washer - 5/16
4	103560	Spacer
5	103520	Take-Up Screw Block
6	100004-13	Cap Screw - 5/16-18 x 5/8 Hex Head
7	102714	Slide Block Guide - Bottom
8	102715	Slide Block Guide - Top
9	100025-2	Lock Washer - 5/16
10	100004-16	Cap Screw - 5/16-18 x 7/8 Hex Head
11	103518	Slide Block
12	100034-25	Set Screw - 1/4-20 x 3/8
13	105417	Wheel Axle
14	100414-3	Ball Bearing
15	105439	Idler Wheel
16	100029-5	Flat Washer - 7/16
17	100065-5	Hex Nut - 1/2-20
18	105416	Wheel Axle
19	100001-9	Machine Screw - 1/4-20 x 1 Flat Head
20	10127	Drive Gear
21	105440	Drive Wheel
22	106423	Wheel Guard
23	100000-18	Machine Screw - #10-32 x 3/8 Round Head
24	100063	Thumb Screw
25	106424	Blade Guard - Inner
26	106425	Blade Guard - Outer
27	103550	Wheel Guard
28	100000-17	Machine Screw - #10-32 x 1/4 Round Head
29	106426	Blade Guard
30	102906	Belt Guard
31	102905	Stud
32	103563	Stud
33	100020-5	Nut - Self Locking
34	101338	Motor Support
35	1/3 H.P.	Motor, 115 Volt
36	100034-3	Set Screw - 5/16-18 x 3/8 Socket Head
37	101238	Pulley
38	100029-3	Flat Washer - 5/16
39	100025-2	Lock Washer - 5/16
40	100004-11	Cap Screw - 5/16-18 x 1/2 Hex Head
41	106447	Table Plate
42	106448	Table Support
43	100029-3	Flat Washer - 5/16
44	100025-2	Lock Washer - 5/16
45	100004-13	Cap Screw - 5/16 x 5/8 Hex Head
46	106458	Screw & Washer
47	100009-9	Cap Screw - 1/2-13 x 1 Socket Flat Head
48	106460	Table Plate
49	106461	Pivot Block
50	106462	Bench Mount - Optional
	105446	Wheel Ass'y Comp. - Idler Incl. Items 13 thru 17
	105445	Wheel Ass'y Comp. - Drive Incl. Items 14 & 16 thru 21
	106446	Vertical Work Table - Optional - Incl. Items 41 thru 46
	106459	Utility Table - Optional - Incl. Items 47, 48 & 49

Always Give Model Number, Serial Number and Part Number When Ordering Repair Parts

BLADE GUIDES AND GEAR BOX DETAILS



Always give model number, serial number and part number when ordering repair parts.

BLADE GUIDES AND GEAR BOX DETAILS

PARTS LIST

REF NO.	PART NUMBER	DESCRIPTION
1	100072-1	Expansion Plug
2	100068-1	Snap Ring
3	101283	Gear Case
4	100025-2	Lock Washer - 5/16
5	100004-16	Cap Screw - 5/16-18 x 7/8 Hex Head
6	100405-1	Ball Bearing
7	101343	Pulley shaft & Pinion
8	100414-3	Ball Bearing
9	100068-2	Snap Ring
10	101291	Gear Case Cover
11	101286	Driven Gear
12	100404-1	Ball Bearing
13	101285	Drive Shaft & Pinion
14	100000-29	Machine Screw - 1/4-20 x 1-1/2 Round Head
15	100034-3	Set Screw - 5/16-18 x 3/8
16	101292	Pulley
17	100056-10	Key
18	100066-2	"V" Belt (4L260)
19	JK-57	Slide Block
20	100008-3	Cap Screw - 1/4-20 x 3/4 Socket Head
21	106474	Guide Bracket - Idle End
22	102898	Wing Screw
23	106470	Blade Guard
24	106469	Roller Support - Idle End
25	100029-2	Flat Washer 1/4
26	100025-1	Lock Washer 1/4
27	100004-7	Cap Screw 1/4-20 x 3/4 Hex Head
28	100406-1	Ball Bearing
29	100030-4	Flat Washer 5/16 S.A.E.
30	101299	Eccentric Roller Axle
31	101298	Roller Axle
32	101300	Eccentric Axle Nut
33	106475	Guide Bracket - Drive End
34	101297	Roller Support - Drive End
35	100004-5	Cap Screw - 1/4-20 x 5/8 Hex Head
	101280	Gear Box Assembly Comp. Incl. Items 1 thru 14
	101322	Roller Support Ass'y - Drive End Incl. Items 28 thru 32&34
	106468	Roller Support Ass'y Comp. Idle End Incl. Items 24&28 thru 32